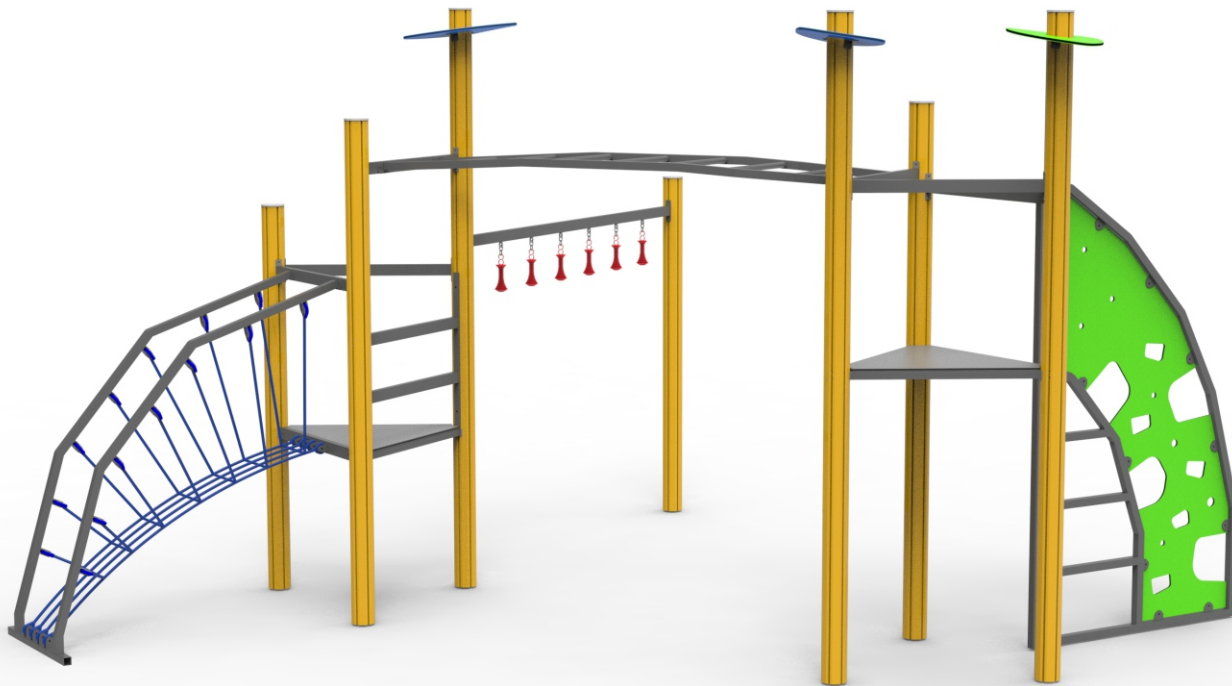


PRODUCT SHEET
REV 3.0 - EN202412
YS300 TUCANA



ORGANIZATION WITH QUALITY MANAGEMENT SYSTEM
ISO 9001:2015 CERTIFIED by
EuCI European Certification Institute LTD
Certificate N.: GOTT2532Q1932

ORGANIZATION WITH ENVIRONMENTAL MANAGEMENT SYSTEM
ISO 14001:2015 CERTIFIED by
EuCI European Certification Institute LTD
Certificate No: GOTT2532E1901



HANGING



CLIMBING



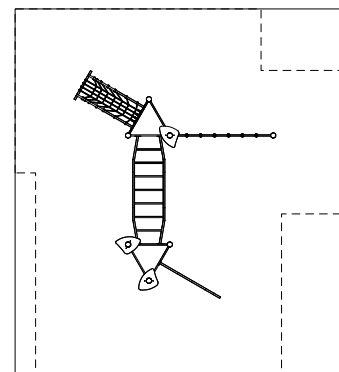
WALK/BALANCE



CATALOG COLLECTION	DYNAMICS
DIMENSIONS (L x W x H) in cm	540 x 490 x 320
MAXIMUM CFH	240
IMPACT ATTENUATING SURFACE	min. 60,50 m ² - MAX 72,00 m ²
SUGGESTED AGE OF USE	10+
COMPOSITION	<ul style="list-style-type: none"> - n°7 aluminium Ø120 round poles - n°2 recycled anti-slip HDPE decks - n°4 metal barriers - n°1 recycled HDPE sheet and metal climbing - n°1 monkey bars - n°1 metal ladder - n°1 monkey swing - n°1 arch rope climbing - n°3 recycled HDPE sheet decorations

SECURITY AREA

800



Make a proper security surface according to CFH. Periodic maintenance is mandatory, following manual supplied to customer.