

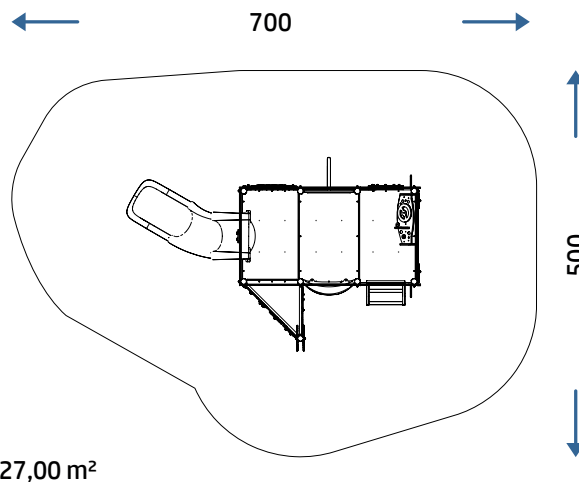
PRODUCT SHEET

478 LARRY

REV 0.0 - IT202509



SECURITY AREA



	CATALOG COLLECTION	PARTY LINE
	DIMENSIONS (L X W X H)	380 x 250 x 260 cm
	IMPACT AREA	27,00 m ²
	MAXIMUM CFH	110 cm
	SUGGESTED AGE OF USE	5+
	NUMBER OF USERS	12

PRODUCT SHEET

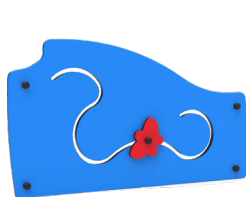
478 LARRY

REV 0.0 - IT202509

- COMPOSITION**
- n° 9 70x70 mm octagonal section aluminium structural posts
 - n° 4 recycled anti-slip HDPE decks
 - n° 1 open metal guard panel for perch
 - n° 2 HDPE sheet and metal guard panels
 - n° 1 fireman's post
 - n° 1 roto-molded PTE guard panel
 - n° 3 HDPE sheet guard panels
 - n° 1 metal ladder with pegs

- n° 1 roto-molded PTE modular slides (H90)
- HDPE sheet decorations

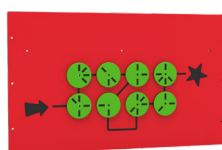
PLAY PANELS



LUDIC PLAY
PANEL X1



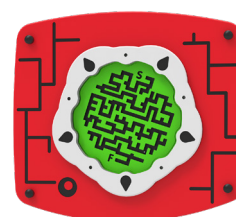
LUDIC PLAY
PANEL X1



LUDIC PLAY
PANEL X1

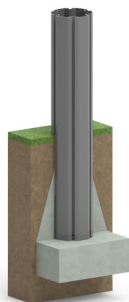


LUDIC PLAY
PANEL X1

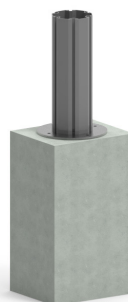


EDUCATIONAL PLAY
PANEL X1

INSTALLATION



Where there is an aluminum pole, the plinth must be created directly on it.



If there is already an adequate fund in CLS the game can be supplied with special brackets for fixing to the ground (option applicable only with confirmation of feasibility).

Make a proper security surface according to CFH. Periodic maintenance is mandatory, following manual supplied to customer.

MATERIAL (mm)	DESCRIPTION (mm)	MINIMUM DEPTH (mm) (b)	CRITICAL FALL HEIGHT (mm)
LAWN/SOIL			1000 (d)
BARK	20 TO 80 GRAIN SIZE	200 300	2000 3000
WOOD CHIPS	20 TO 80 GRAIN SIZE	200 300	2000 3000
SAND	20 TO 80 GRAIN SIZE	200 300	2000 3000
GRAVEL	20 TO 80 GRAIN SIZE	200 300	2000 3000
RUBBER SURFACING RESPONDENT TO HIC	THICKNESS 30 MM		DEPENDING ON CERTIFICATION TESTS 1000
	THICKNESS 40 MM		1300
	THICKNESS 45 MM		1500
	THICKNESS 60 MM		2000
	THICKNESS 70 MM		2500
	THICKNESS 90 MM		3000