



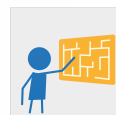
SLIDING



CLIMBING



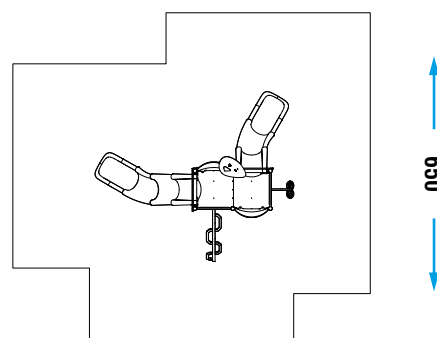
INTERACTIVE GAME



CATALOG COLLECTION	TIKA LINE
DIMENSIONS (L x W x H) in cm	390 x 335 x 285
MAXIMUM CFH	125
IMPACT ATTENUATING SURFACE	min. 38,75 m ² - MAX 45,50 m ²
SUGGESTED AGE OF USE	4 +
COMPOSITION	<ul style="list-style-type: none"> - n°6 70 x70 mm octagonal section aluminium structural poles - n°2 recycled anti-slip HDPE decks - n°2 open metal guard panels - n°2 roto-molded PTE guard panels - n°1 metal perch - n°1 metal climbing - n°1 HDPE sheet climbing - n°1 «PUZZLE» play panel - n°2 roto-molded PTE modular slides H125, H95 - n°1 recycled HDPE sheet decoration

SECURITY AREA

700



Make a proper security surface according to CFH. Periodic maintenance is mandatory, following manual supplied to customer.