

PRODUCT SHEET
REV 3.0 - EN202410
4305 OLLY



ORGANIZATION WITH QUALITY MANAGEMENT SYSTEM
ISO 9001:2015 CERTIFIED by
EuCI European Certification Institute LTD
Certificate N.: GOTT253201932

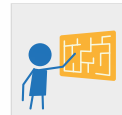
ORGANIZATION WITH ENVIRONMENTAL MANAGEMENT SYSTEM
ISO 14001:2015 CERTIFIED by
EuCI European Certification Institute LTD
Certificate N.: GOTT2532E1901



CLIMBING



INTERACTIVE GAME



SLIDING

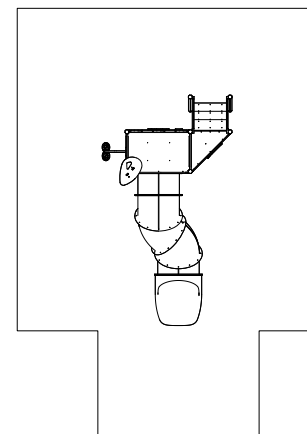


CATALOG COLLECTION	TIKA LINE
DIMENSIONS (L x W x H) in cm	245 x 430 x 305
MAXIMUM CFH	95
IMPACT ATTENUATING SURFACE	min. 39,00 m ² - MAX 44,00 m ²
SUGGESTED AGE OF USE	3 +

- COMPOSITION**
- n°5 70 x70 mm octagonal section aluminium structural poles
 - n°2 recycled anti-slip HDPE decks
 - n°2 open metal guard panels
 - n°1 roto-molded PTE modular double slide H95
 - n°1 recycled HDPE sheet decoration
 - n°1 stairs with recycled anti-slip HDPE treads
 - n°1 recycled HDPE and metal guard panel
 - n°1 recycled HDPE guard panel
 - n°1 «4 DISCHI» play panel
 - n°1 metal perch

SECURITY AREA

550



Make a proper security surface according to CFH. Periodic maintenance is mandatory, following manual supplied to customer.