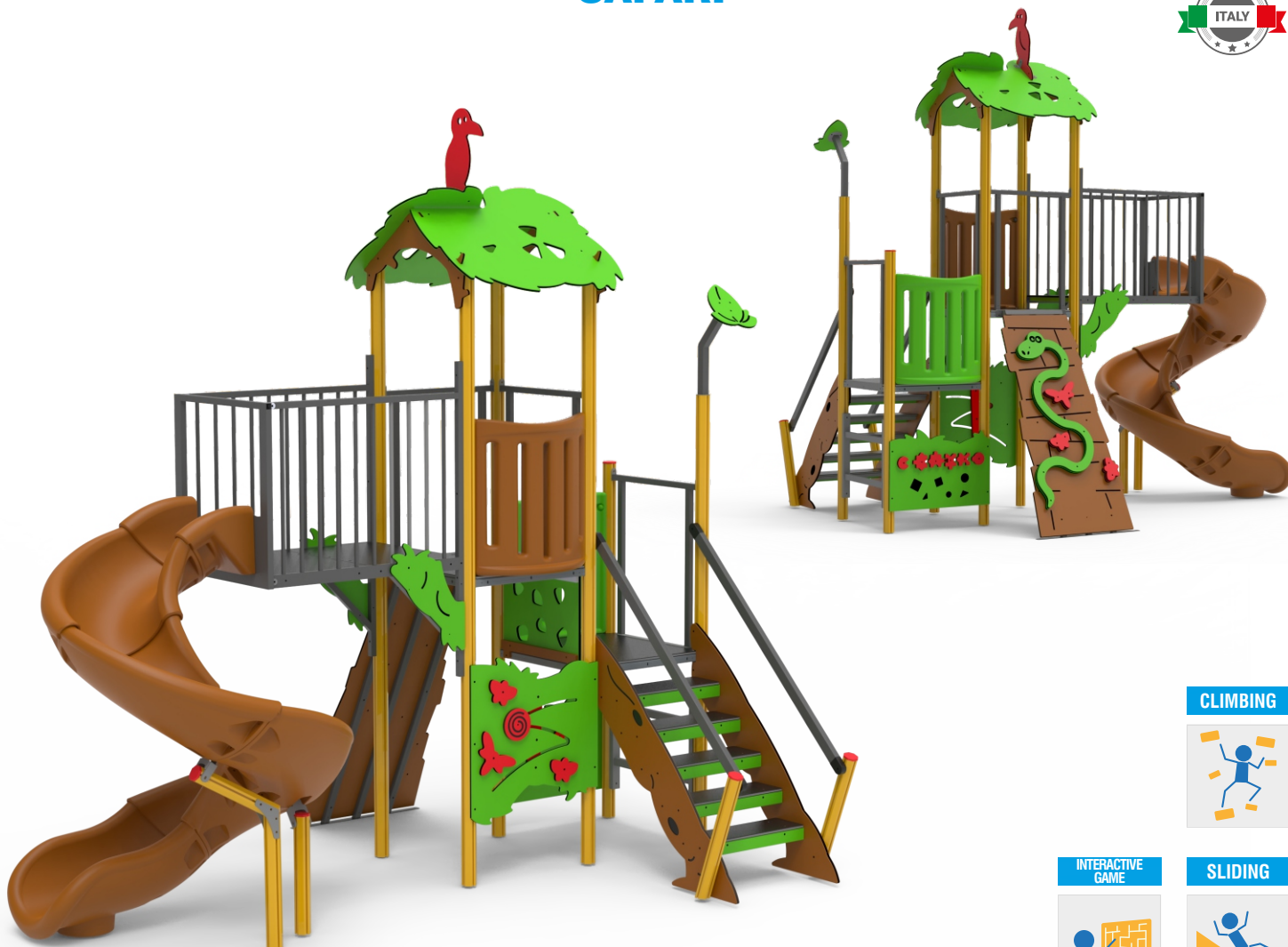


PRODUCT SHEET
REV 2.0 - EN102024
**4010S FLAMINGO
SAFARI**



ORGANIZATION WITH QUALITY MANAGEMENT SYSTEM
ISO 9001:2015 CERTIFIED by
EuCI European Certification Institute LTD
Certificate N.: GOTT25201932

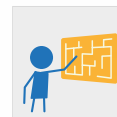
ORGANIZATION WITH ENVIRONMENTAL MANAGEMENT SYSTEM
ISO 14001:2015 CERTIFIED by
EuCI European Certification Institute LTD
Certificate No: GOTT2522E1801



CLIMBING



INTERACTIVE
GAME



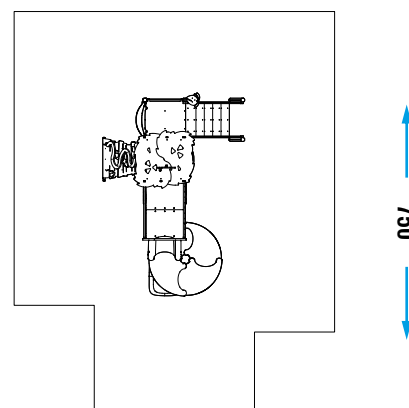
SLIDING



CATALOG COLLECTION	TIKA LINE
DIMENSIONS (L x W x H) in cm	270 x 380 x 325
MAXIMUM CFH	160
IMPACT ATTENUATING SURFACE	min.39,75 m ² - MAX 45,00 m ²
SUGGESTED AGE OF USE	3 +
COMPOSITION	<ul style="list-style-type: none"> - n°6 70 x70 mm octagonal section aluminium structural poles - n°3 recycled anti-slip HDPE decks - n°1 recycled HDPE sheet gable roof - n°5 metal guardpanels - n°2 roto-molded PTE guard panels - n°1 HDPE sheet decoration - n°1 stairs with recycled anti-slip HDPE treads - n°1 roto-molded PTE spiryal modular slide H160 - n°1 «PUZZLE» play panel - n°1 «TROTTOLO» play panel - n°1 recycled HDPE sheet and metal climbing - n°1 recycled HDPE sheet climbing - n°1 metal ladder

SECURITY AREA

600



Make a proper security surface according to CFH. Periodic maintenance is mandatory, following manual supplied to customer.