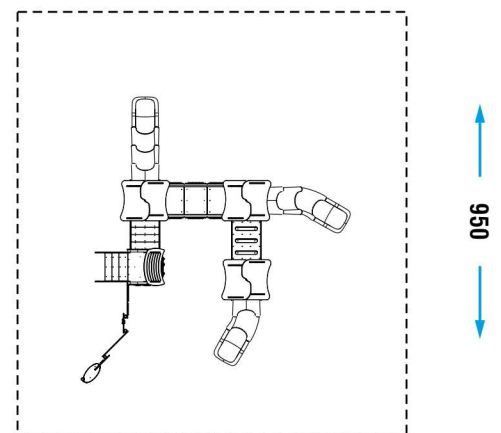




<b>CATALOG COLLECTION</b>	CODY LINE
<b>DIMENSIONS (L x W x H) in cm</b>	600 x 640 x 315
<b>MAXIMUM CFH</b>	140cm
<b>IMPACT ATTENUATING SURFACE</b>	min. 59,00 m <sup>2</sup> - MAX 82,65 m <sup>2</sup>
<b>SUGGESTED AGE OF USE</b>	1+
<b>COMPOSITION</b>	<ul style="list-style-type: none"> <li>- n° 2 modular slide h140cm</li> <li>- n° 1 modular slide h100cm</li> <li>- n° 4 anti slip decks</li> <li>- n° 1 accessible stairs</li> <li>- support structure made in stainless steel 50x50x1.5</li> <li>- n° 1 play panel Campane</li> <li>- n° 1 play panel Jaret</li> <li>- n° 1 handling play panel (steering wheel)</li> <li>- n° 1 activity role play panel</li> <li>- n° 1 play panel Blossom</li> <li>- roof and posts' decorations made in HDPE</li> <li>- octagonal and square aluminum posts</li> </ul>

**SECURITY AREA**

870



*Make a proper security surface according to CFH. Periodic maintenance is mandatory, following manual supplied to customer.*