

PRODUCT SHEET
REV 0.0 - EN202408
4006 KIRA

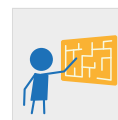


ORGANIZATION WITH QUALITY MANAGEMENT SYSTEM
ISO 9001:2015 CERTIFIED by
EuCI European Certification Institute LTD
Certificate N.: GOTT25201932

ORGANIZATION WITH ENVIRONMENTAL MANAGEMENT SYSTEM
ISO 14001:2015 CERTIFIED by
EuCI European Certification Institute LTD
Certificate N.: GOTT2520E1901



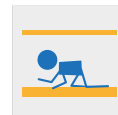
INTERACTIVE
GAME



ROTATING



CRAWLING



CLIMBING



SLIDING

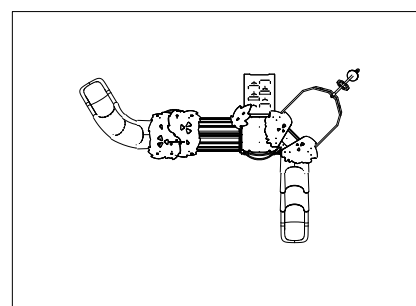


CATALOG COLLECTION	TIKA LINE
DIMENSIONS (L x W x H) in cm	605 x 375 x 360
MAXIMUM CFH	140
IMPACT ATTENUATING SURFACE	min. 47,00 m ² - MAX 58,50 m ²
SUGGESTED AGE OF USE	6+

- COMPOSITION**
- n° 9 octagonal aluminium poles
 - n° 2 rotating mold PTE modular slides
 - n° 2 recycled anti-slip HDPE square decks
 - n° 1 recycled anti-slip HDPE triangular deck
 - n° 2 rotating mold PTE guardpanel
 - n° 1 recycled HDPE sheet and metal guardpanel
 - n° 1 tunnel
 - n° 2 recycled HDPE sheet play pannel (Puzzle, Trottola)
 - n° 1 recycled HDPE sheet roof
 - n° 1 recycled HDPE sheet and metal roof
 - n° 1 rotating mod PTE climbing
 - n° 1 recycled HDPE sheet climbing
 - n° 1 spinner
 - n° 1 recycled HDPE sheet crossbar
 - HDPE sheet decoration

SECURITY AREA

900



650

Make a proper security surface according to CFH. Periodic maintenance is mandatory, following manual supplied to customer.