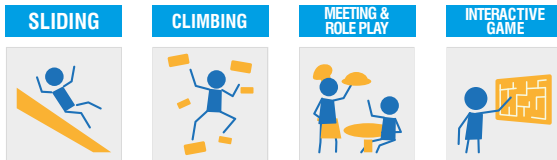


PRODUCT SHEET
REV 2.0 - IT202411
3002 TETI



ORGANIZATION WITH QUALITY MANAGEMENT SYSTEM
ISO 9001:2015 CERTIFIED by
EuCI European Certification Institute LTD
Certificate N.: GOTT253201932

ORGANIZATION WITH ENVIRONMENTAL MANAGEMENT SYSTEM
ISO 14001:2015 CERTIFIED by
EuCI European Certification Institute LTD
Certificate N.: GOTT253201904

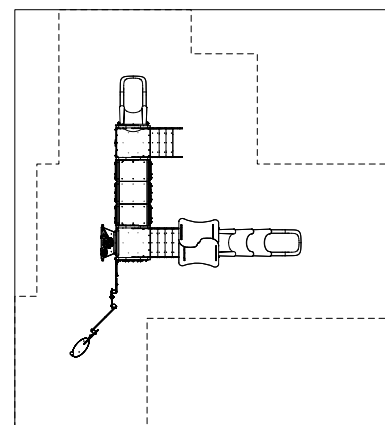


CATALOG COLLECTION	CODY LINE
DIMENSIONS (L x W x H) in cm	640 x 520 x 315
MAXIMUM CFH	140cm
IMPACT ATTENUATING SURFACE	min. 50,00 m ² - MAX 80,75 m ²
SUGGESTED AGE OF USE	1+

- COMPOSITION**
- n° 1 modular slide h140cm
 - n° 1 modular slide h60cm
 - n° 3 anti slip decks
 - n° 1 accessible stairs
 - support structure made in stainless steel 50x50x1.5
 - n° 1 HDPE engraved play panel Labirinto
 - n° 1 handling play panel
 - n° 1 activity role play panel
 - n° 1 play panel Yon
 - n° 1 play panel Jaret
 - n° 1 height measuring panel
 - n° 1 game board paper rock scissors
 - roof and posts' decorations made in HDPE
 - octagonal and square aluminum posts

SECURITY AREA

850



950

Make a proper security surface according to CFH. Periodic maintenance is mandatory, following manual supplied to customer.