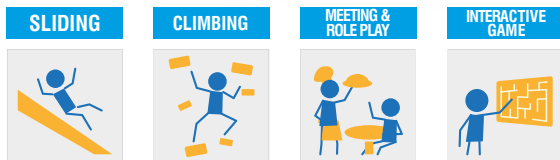


PRODUCT SHEET
REV 2.0 - IT202411
3000 METI



ORGANIZATION WITH QUALITY MANAGEMENT SYSTEM
ISO 9001:2015 CERTIFIED by
EuCI European Certification Institute LTD
Certificate N.: GOTT25201932

ORGANIZATION WITH ENVIRONMENTAL MANAGEMENT SYSTEM
ISO 14001:2015 CERTIFIED by
EuCI European Certification Institute LTD
Certificate N.: GOTT2520E1804

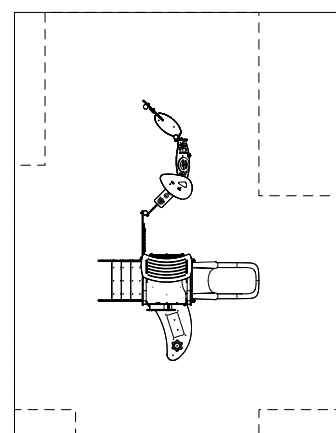


CATALOG COLLECTION	CODY LINE
DIMENSIONS (L x W x H) in cm	260 x 430 x 230
MAXIMUM CFH	60
IMPACT ATTENUATING SURFACE	min. 31,50 m ² - MAX 38,50 m ²
SUGGESTED AGE OF USE	1+

- COMPOSITION**
- n° 1 sandbox
 - n° 1 modular slide h60cm
 - n° 1 anti slip deck h60cm
 - n° 1 accessible stairs
 - support structure made in stainless steel 50x50x1.5
 - n° 1 play panel Campana
 - n° 1 HDPE engraved play panel Labirinto
 - n° 1 handling play panel (steering wheel)
 - n° 2 activity role play panels
 - n° 1 play panel Yon
 - roof and posts' decorations made in HDPE
 - octagonal and square aluminum posts

SECURITY AREA

550



Make a proper security surface according to CFH. Periodic maintenance is mandatory, following manual supplied to customer.