

PRODUCT SHEET  
REV 2.2 - EN202103  
**WD149 MINI SKI**



ORGANIZATION WITH QUALITY MANAGEMENT SYSTEM  
ISO 9001:2015 CERTIFIED by  
**EuCI European Certification Institute LTD**  
Certificate N.: GOTT253201932

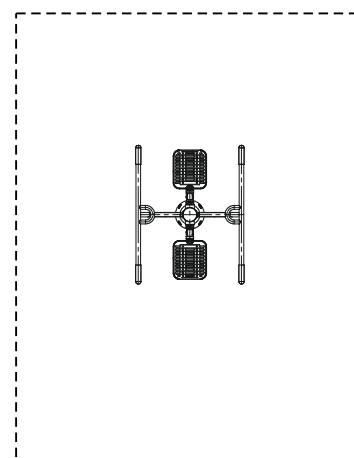
ORGANIZATION WITH ENVIRONMENTAL MANAGEMENT SYSTEM  
ISO 14001:2015 CERTIFIED by  
**EuCI European Certification Institute LTD**  
Certificate No: GOTT2532E1801



<b>CATALOG COLLECTION</b>	LET'S GET PHYSICAL
<b>DIMENSIONS (L x W x H) in cm</b>	115 x 90 x 130
<b>IMPACT ATTENUATING SURFACE</b>	min. 16,00 m <sup>2</sup> - MAX 16,00 m <sup>2</sup>
<b>COMPOSITION</b>	<ul style="list-style-type: none"> <li>- powder coated steel structure</li> <li>- polypropylene handles</li> <li>- suitable by two user at a time</li> </ul>
<b>FUNCTION</b>	<p>Exercises the spine and hips. Enhances overall body coordination by improving the function of blood circulation and digestive system.</p>

**SECURITY AREA**

← 390 →



↑ 415 ↓

*Make a proper security surface according to CFH. Periodic maintenance is mandatory, following manual supplied to customer.*