

PRODUCT SHEET
 REV 2.1 - EN202003
**SPRING TOYS
 WITH PTE SEAT**



ORGANIZATION WITH QUALITY MANAGEMENT SYSTEM
 ISO 9001:2015 CERTIFIED by
 EuCI European Certification Institute LTD
 Certificate N.: GOTT253201932

ORGANIZATION WITH ENVIRONMENTAL MANAGEMENT SYSTEM
 ISO 14001:2015 CERTIFIED by
 EuCI European Certification Institute LTD
 Certificate No: GOTT2532E1901



887 VALE

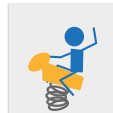


886 BRUTUS



855 IGNAZIO

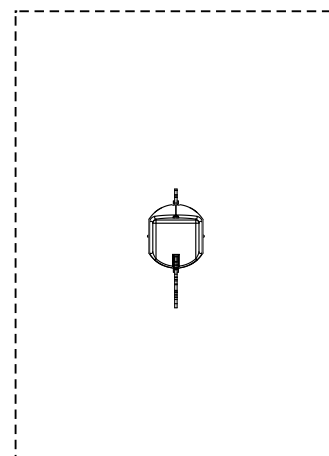
ROCKING



CATALOG COLLECTION	PLAYGROUND ESSENTIALS
DIMENSIONS (L x W x H) in cm	100 x 30 x 85
MAXIMUM CFH	-
IMPACT ATTENUATING SURFACE	min. 8,75 m ² - MAX 8,75 m ²
SUGGESTED AGE OF USE	3+
COMPOSITION	19mm thick HDPE sheet shapes with engravings on both sides, with rotating mold PTE seat and plastic handles and footrests. Oscillating on a central Ø200mm crushing free steel spring.

SECURITY AREA

← 250 →



↑ 350 ↓

Make a proper security surface according to CFH. Periodic maintenance is mandatory, following manual supplied to customer.