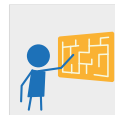




INTERACTIVE
GAME



CLIMBING



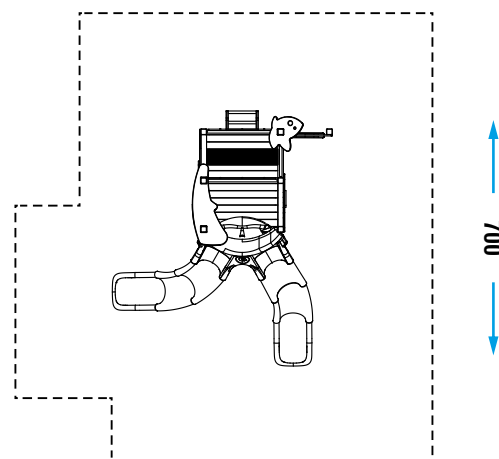
SLIDING



CATALOG COLLECTION	PARTY LINE
DIMENSIONS (L x W x H) in cm	350 x 400 x 300
MAXIMUM CFH	155
IMPACT ATTENUATING SURFACE	min. 41,00 m ² - MAX 45,50 m ²
SUGGESTED AGE OF USE	4 +
COMPOSITION	<ul style="list-style-type: none"> - n°7 octagonal aluminium poles 9x9cm - n°2 timber or aluminium decks - n°4 metal guardpanels - n°2 HDPE sheet decoration - n°1 double modular slide - n°1 HDPE sheet playpanel - n°1 metal playpanel - n°2 HDPE sheet guardpanels - n°1 HDPE sheet climber - n°1 metal ladder

SECURITY AREA

650



Make a proper security surface according to CFH. Periodic maintenance is mandatory, following manual supplied to customer.