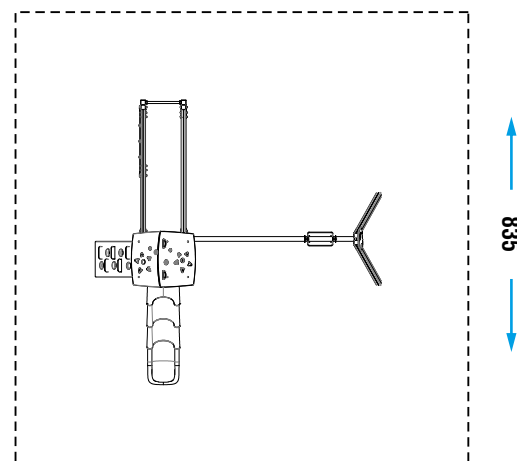


CATALOG COLLECTION	FUN COLLECTION
DIMENSIONS (L x W x H) in cm	535 x 535 x 335
MAXIMUM CFH	150
IMPACT ATTENUATING SURFACE	min. 55,25 m ² - MAX (55,25) 72,25 m ²
SUGGESTED AGE OF USE	4 +

- COMPOSITION**
- n°6 timber or aluminium poles 9x9cm
 - n°1 timber or aluminium deck
 - n°1 gable roof
 - n°2 metal guardpanels
 - n°1 modular slide
 - n°1 HDPE sheet playpanel
 - n°1 rotating mold PTE climber
 - n°2 metal ladders
 - n°1 rope net climber
 - n°1 perch
 - n°1 swing attachment

SECURITY AREA

835



Make a proper security surface according to CFH. Periodic maintenance is mandatory, following manual supplied to customer.