

PRODUCT SHEET
REV 1.0 - EN202104
6044 BIG SWING

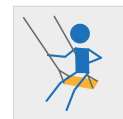


ORGANIZATION WITH QUALITY MANAGEMENT SYSTEM
ISO 9001:2015 CERTIFIED by
EuCI European Certification Institute LTD
Certificate N.: GOTT253201932

ORGANIZATION WITH ENVIRONMENTAL MANAGEMENT SYSTEM
ISO 14001:2015 CERTIFIED by
EuCI European Certification Institute LTD
Certificate No: GOTT2532E1801



SWINGING



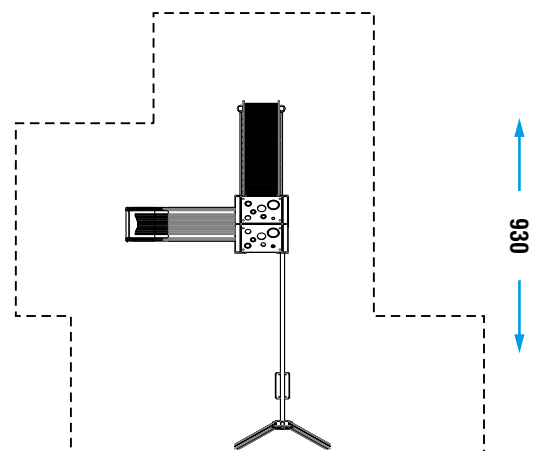
SLIDING



CATALOG COLLECTION	FUN COLLECTION
DIMENSIONS (L x W x H) in cm	630 x 370 x 340
MAXIMUM CFH	140
IMPACT ATTENUATING SURFACE	min. 49,50 m ² - MAX 68,00 m ²
SUGGESTED AGE OF USE	3+
COMPOSITION	<ul style="list-style-type: none"> - n°8 timber or aluminium profile structural poles 9x9cm - n°1 timber or aluminum deck - n°1 stairs with 8 timber or aluminium steps - n°1 slide with HDPE sheet crossbar - n°1 gable roof - n°1 metal guardpanel - n°1 swing attachment

SECURITY AREA

850



Make a proper security surface according to CFH. Periodic maintenance is mandatory, following manual supplied to customer.