

PRODUCT SHEET  
REV 2.1 - EN202003  
**6015 BRASILE**

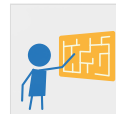


ORGANIZATION WITH QUALITY MANAGEMENT SYSTEM  
ISO 9001:2015 CERTIFIED by  
EuCI European Certification Institute LTD  
Certificate N.: GOTT253201932

ORGANIZATION WITH ENVIRONMENTAL MANAGEMENT SYSTEM  
ISO 14001:2015 CERTIFIED by  
EuCI European Certification Institute LTD  
Certificate No: GOTT2532E1901



INTERACTIVE  
GAME



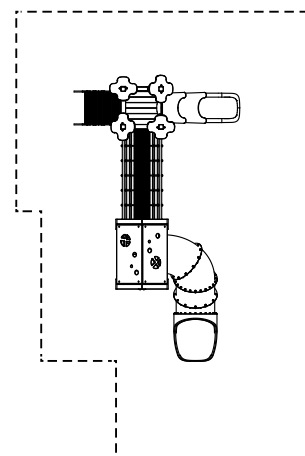
SLIDING



<b>CATALOG COLLECTION</b>	FUN COLLECTION
<b>DIMENSIONS (L x W x H) in cm</b>	570 x 330 x 290
<b>MAXIMUM CFH</b>	110
<b>IMPACT ATTENUATING SURFACE</b>	min. 48,50 m <sup>2</sup> - MAX 54,00 m <sup>2</sup>
<b>SUGGESTED AGE OF USE</b>	3 +
<b>COMPOSITION</b>	<ul style="list-style-type: none"> <li>- n°8 timber or aluminium poles 9x9cm</li> <li>- n°2 timber or aluminium decks</li> <li>- n°1 gable roof</li> <li>- n°1 metal guardpanel</li> <li>- n°2 rotating mold PTE guardpanels</li> <li>- n°1 timber or aluminium closed stairs</li> <li>- n°1 slope bridge</li> <li>- n°1 modular slide</li> <li>- n°1 tube slide</li> <li>- n°1 HDPE sheet playpanel</li> </ul>

SECURITY AREA

630



Make a proper security surface according to CFH. Periodic maintenance is mandatory, following manual supplied to customer.