

PRODUCT SHEET
REV 2.1 - EN202003
525 TIBET MAXI



ORGANIZATION WITH QUALITY MANAGEMENT SYSTEM
ISO 9001:2015 CERTIFIED by
EuCI European Certification Institute LTD
Certificate N.: GOTT253201932

ORGANIZATION WITH ENVIRONMENTAL MANAGEMENT SYSTEM
ISO 14001:2015 CERTIFIED by
EuCI European Certification Institute LTD
Certificate N.: GOTT2532E1801



INTERACTIVE
GAME



CLIMBING



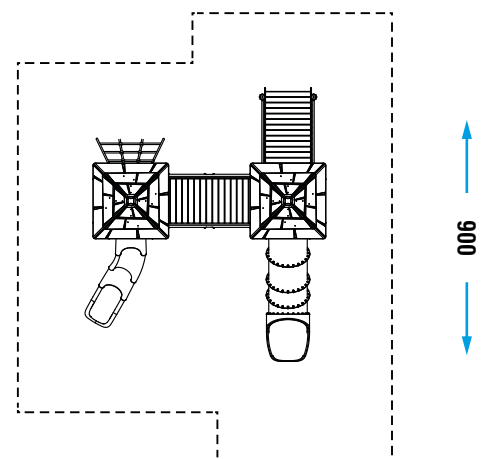
SLIDING



CATALOG COLLECTION	CLASSIC COLLECTION
DIMENSIONS (L x W x H) in cm	490 x 550 x 350
MAXIMUM CFH	125
IMPACT ATTENUATING SURFACE	min. 55,00 m ² - MAX 67,50 m ²
SUGGESTED AGE OF USE	3 +
COMPOSITION	<ul style="list-style-type: none"> - n°8 timber or aluminium poles 9x9cm - n°2 timber or aluminium decks - n°2 pyramid roofs in rotational mold PTE - n°1 arch bridge - n°1 metal guardpanel - n°2 rotational mold PTE guardpanels - n°1 timber or aluminium stairs - n°1 tube slide - n°1 modular slide with HDPE crossbar - n°2 HDPE sheet playpanels - n°1 rope net climb

SECURITY AREA

790



Make a proper security surface according to CFH. Periodic maintenance is mandatory, following manual supplied to customer.