

PRODUCT SHEET  
REV 2.1 - EN202003  
**501 JIMBO**

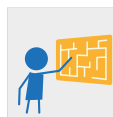


ORGANIZATION WITH QUALITY MANAGEMENT SYSTEM  
ISO 9001:2015 CERTIFIED by  
EuCI European Certification Institute LTD  
Certificate N.: GOTT253201932

ORGANIZATION WITH ENVIRONMENTAL MANAGEMENT SYSTEM  
ISO 14001:2015 CERTIFIED by  
EuCI European Certification Institute LTD  
Certificate No: GOTT2532E1801



INTERACTIVE  
GAME



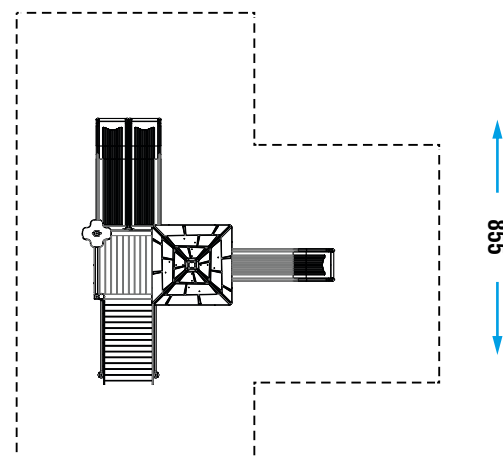
SLIDING



<b>CATALOG COLLECTION</b>	CLASSIC COLLECTION
<b>DIMENSIONS (L x W x H) in cm</b>	475 x 505 x 360
<b>MAXIMUM CFH</b>	140
<b>IMPACT ATTENUATING SURFACE</b>	min. 54,00 m <sup>2</sup> - MAX 68,00 m <sup>2</sup>
<b>SUGGESTED AGE OF USE</b>	3 +
<b>COMPOSITION</b>	<ul style="list-style-type: none"> <li>- n°6 timber or aluminium poles 9x9cm</li> <li>- n°2 timber or aluminium decks</li> <li>- n°1 pyramid roof in rotational PTE</li> <li>- n°1 metal guardpanel</li> <li>- n°2 rotating mold PTE guardpanels</li> <li>- n°1 timber or aluminium stairs</li> <li>- n°1 double slide with HDPE crossbar</li> <li>- n°1 single slide with HDPE crossbar</li> <li>- n°1 HDPE sheet playpanel</li> </ul>

SECURITY AREA

825



Make a proper security surface according to CFH. Periodic maintenance is mandatory, following manual supplied to customer.