



INTERACTIVE  
GAME



CLIMBING



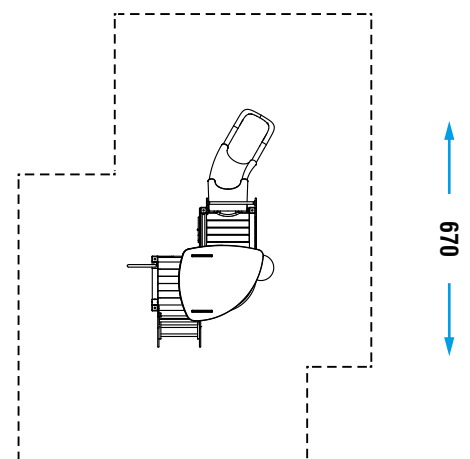
SLIDING



<b>CATALOG COLLECTION</b>	PARTY LINE
<b>DIMENSIONS (L x W x H) in cm</b>	370 x 230 x 275
<b>MAXIMUM CFH</b>	100
<b>IMPACT ATTENUATING SURFACE</b>	min. 34,75 m <sup>2</sup> - MAX 38,50 m <sup>2</sup>
<b>SUGGESTED AGE OF USE</b>	6 +
<b>COMPOSITION</b>	<ul style="list-style-type: none"> <li>- n°7 timber or aluminium poles 9x9cm</li> <li>- n°3 timber or aluminium decks</li> <li>- n°1 HDPE sheet roof</li> <li>- n°1 metal guardpanel</li> <li>- n°3 HDPE sheet guardpanels</li> <li>- n°1 metal climbing</li> <li>- n°1 perch</li> <li>- n°1 modular slide</li> <li>- n°1 bench</li> <li>- n°1 HDPE sheet playpanel</li> </ul>

SECURITY AREA

530



*Make a proper security surface according to CFH. Periodic maintenance is mandatory, following manual supplied to customer.*