

PRODUCT SHEET

4514 GIOVE

REV 0.0 - IT202509



SLIDING

CLIMBING



CATALOG COLLECTION

ORBIT

DIMENSIONS (L X W X H)

520 x 320 x 560

IMPACT AREA

39,80 m²

MAXIMUM CFH

100 cm

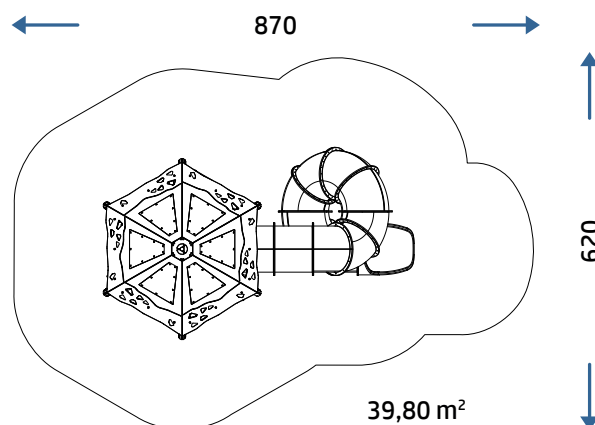
SUGGESTED AGE OF USE

5+

NUMBER OF USERS

17

SECURITY AREA



PRODUCT SHEET

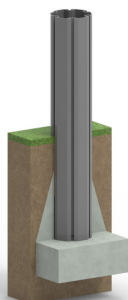
4514 GIOVE

REV 0.0 - IT202509

COMPOSITION

- n° 6 120x120 mm hexagonal profile aluminum posts
- n° 1 HDPE sheet roof
- n° 7 "ROPES" climbing element
- n° 3 "ROPES" platforms
- n° 1 rotational molded PTE tube slides
- n° 3 Polycarbonate portholes
- n° 18 Metal balustrade
- HDPE sheet barriers

INSTALLATION



Where there is an aluminum pole, the plinth must be created directly on it.



If there is already an adequate fund in CLS the game can be supplied with special brackets for fixing to the ground (option applicable only with confirmation of feasibility).

Make a proper security surface according to CFH. Periodic maintenance is mandatory, following manual supplied to customer.

MATERIAL (mm)	DESCRIPTION (mm)	MINIMUM DEPTH (mm) (b)	CRITICAL FALL HEIGHT (mm)
LAWN/SOIL			1000 (d)
BARK	20 TO 80 GRAIN SIZE	200 300	2000 3000
WOOD CHIPS	20 TO 80 GRAIN SIZE	200 300	2000 3000
SAND	20 TO 80 GRAIN SIZE	200 300	2000 3000
GRAVEL	20 TO 80 GRAIN SIZE	200 300	2000 3000
RUBBER SURFACING RESPONDENT TO HIC	THICKNESS 30 MM		DEPENDING ON CERTIFICATION TESTS 1000
	THICKNESS 40 MM		1300
	THICKNESS 45 MM		1500
	THICKNESS 60 MM		2000
	THICKNESS 70 MM		2500
	THICKNESS 90 MM		3000