

## PRODUCT SHEET

## 4501 TIMOTHY

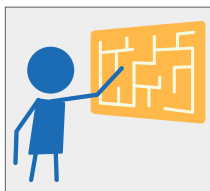
REV 0.0 - IT202509



SLIDING

CLIMBING

INTERACTIVE GAME

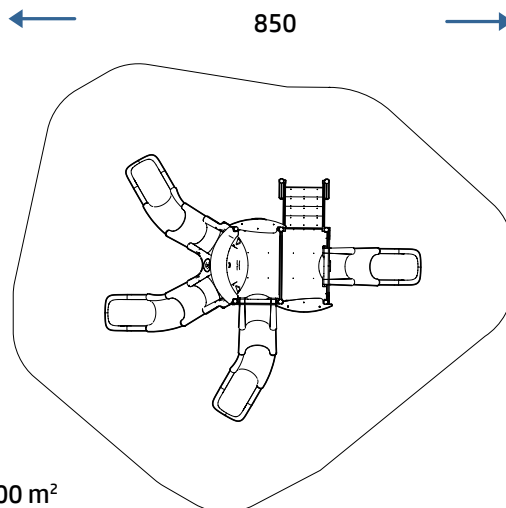


### SECURITY AREA

850

750

750



43,00 m<sup>2</sup>

CATALOG COLLECTION

TIKA LINE

DIMENSIONS (L X W X H)

515 x 435 x 290 cm

IMPACT AREA

43,00 m<sup>2</sup>

MAXIMUM CFH

125 cm

SUGGESTED AGE OF USE

3+

NUMBER OF USERS

16

## PRODUCT SHEET

## 4501 TIMOTHY

REV 0.0 - IT202509

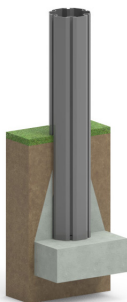
- COMPOSITION**
- n° 6 70 x70 mm octagonal section aluminium structural posts
  - n° 2 recycled anti-slip HDPE decks
  - n° 2 open metal guard panels
  - n° 1 roto-molded PTE guard panel
  - n° 1 stairs with recycled anti-slip HDPE steps
  - n° 2 HDPE sheet climblings
- n° 2 roto-molded PTE modular slides H125, H80
  - n° 1 roto-molded PTE modular double slide H125
  - n° 2 HDPE sheet roofs

### PLAY PANELS



LUDIC PLAY PANEL X1

### INSTALLATION



Where there is an aluminum pole, the plinth must be created directly on it.



If there is already an adequate fund in CLS the game can be supplied with special brackets for fixing to the ground (option applicable only with confirmation of feasibility).

Make a proper security surface according to CFH. Periodic maintenance is mandatory, following manual supplied to customer.

MATERIAL (mm)	DESCRIPTION (mm)	MINIMUM DEPTH (mm) (b)	CRITICAL FALL HEIGHT (mm)
LAWN/SOIL			1000 (d)
BARK	20 TO 80 GRAIN SIZE	200 300	2000 3000
WOOD CHIPS	20 TO 80 GRAIN SIZE	200 300	2000 3000
SAND	20 TO 80 GRAIN SIZE	200 300	2000 3000
GRAVEL	20 TO 80 GRAIN SIZE	200 300	2000 3000
RUBBER SURFACING RESPONDENT TO HIC	THICKNESS 30 MM		DEPENDENT ON CERTIFICATION TESTS 1000
	THICKNESS 40 MM		1300
	THICKNESS 45 MM		1500
	THICKNESS 60 MM		2000
	THICKNESS 70 MM		2500
	THICKNESS 90 MM		3000