

PRODUCT SHEET

4300 TOGA

REV 0.0 - IT202509

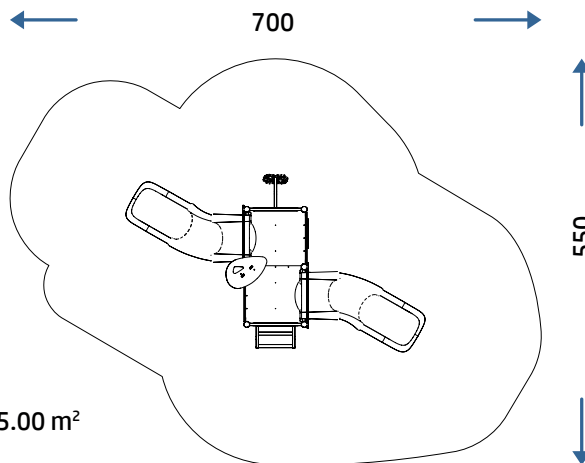


SLIDING

CLIMBING



SECURITY AREA



CATALOG COLLECTION

TIKA LINE

DIMENSIONS (L X W X H)

230 x 385 x 255 cm

IMPACT AREA

25,00 m²

MAXIMUM CFH

100 cm

SUGGESTED AGE OF USE

3+

NUMBER OF USERS

8

PRODUCT SHEET

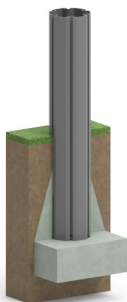
4300 TOGA

REV 0.0 - IT202509

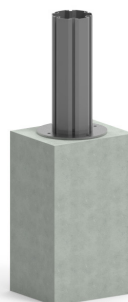
COMPOSITION

- n° 6 70 x70 mm octagonal section aluminium structural poles
- n° 2 recycled anti-slip HDPE decks
- n° 2 open metal guard panel
- n° 1 recycled HDPE sheet decoration
- n° 1 metal ladder
- n° 1 metal perch
- n° 2 roto-molded PTE modular slides H100
- n° 2 recycled HDPE guard panels

INSTALLATION



Where there is an aluminum pole, the plinth must be created directly on it.



If there is already an adequate fund in CLS the game can be supplied with special brackets for fixing to the ground (option applicable only with confirmation of feasibility).

Make a proper security surface according to CFH. Periodic maintenance is mandatory, following manual supplied to customer.

MATERIAL (mm)	DESCRIPTION (mm)	MINIMUM DEPTH (mm) (b)	CRITICAL FALL HEIGHT (mm)
LAWN/SOIL			1000 (d)
BARK	20 TO 80 GRAIN SIZE	200 300	2000 3000
WOOD CHIPS	20 TO 80 GRAIN SIZE	200 300	2000 3000
SAND	20 TO 80 GRAIN SIZE	200 300	2000 3000
GRAVEL	20 TO 80 GRAIN SIZE	200 300	2000 3000
RUBBER SURFACING RESPONDENT TO HIC	THICKNESS 30 MM		DEPENDENT ON CERTIFICATION TESTS 1000
	THICKNESS 40 MM		1300
	THICKNESS 45 MM		1500
	THICKNESS 60 MM		2000
	THICKNESS 70 MM		2500
	THICKNESS 90 MM		3000