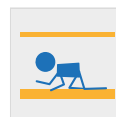


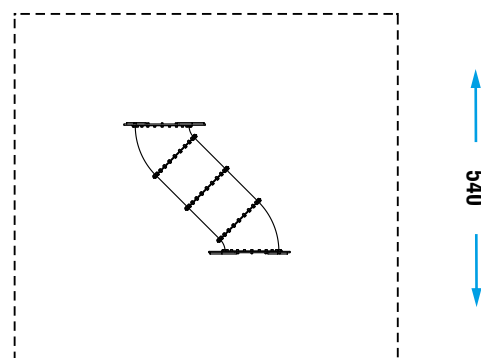
CRAWLING



CATALOG COLLECTION	PLAYGROUND ESSENTIALS
DIMENSIONS (L x W x H) in cm	240 x 190 x 100
MAXIMUM CFH	-
IMPACT ATTENUATING SURFACE	min. 29,25 m ² - MAX 29,25 m ²
SUGGESTED AGE OF USE	3+
COMPOSITION	- n°4 rotating mold PTE tube elements - n°2 15mm thick HDPE sheet panels

SECURITY AREA

490



Make a proper security surface according to CFH. Periodic maintenance is mandatory, following manual supplied to customer.