

PRODUCT SHEET  
REV 2.1 - EN202003  
**3301 SHIRO**



ORGANIZATION WITH QUALITY MANAGEMENT SYSTEM  
ISO 9001:2015 CERTIFIED by  
EuCI European Certification Institute LTD  
Certificate N.: GOTT253201932

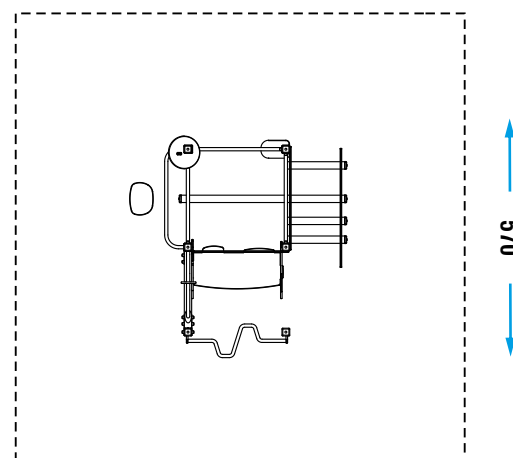
ORGANIZATION WITH ENVIRONMENTAL MANAGEMENT SYSTEM  
ISO 14001:2015 CERTIFIED by  
EuCI European Certification Institute LTD  
Certificate No: GOTT2532E1801



<b>CATALOG COLLECTION</b>	LET'S GET PHYSICAL
<b>DIMENSIONS (L x W x H) in cm</b>	270 x 270 x 240
<b>MAXIMUM CFH</b>	50
<b>IMPACT ATTENUATING SURFACE</b>	min. 30,25 m <sup>2</sup> - MAX 30,25 m <sup>2</sup>
<b>SUGGESTED AGE OF USE</b>	50+
<b>COMPOSITION</b>	<ul style="list-style-type: none"> <li>- n°6 timber or aluminium poles</li> <li>- n°1 metal tubular cyclette</li> <li>- n°1 HDPE sheet bench</li> <li>- n°1 wrist exercise equipment</li> <li>- n°1 crossbar with seating for legs exercise</li> <li>- n°1 pull up crossbar</li> <li>- n°1 equilibrium exercise track</li> </ul>

**SECURITY AREA**

← 570 →



*Make a proper security surface according to CFH. Periodic maintenance is mandatory, following manual supplied to customer.*