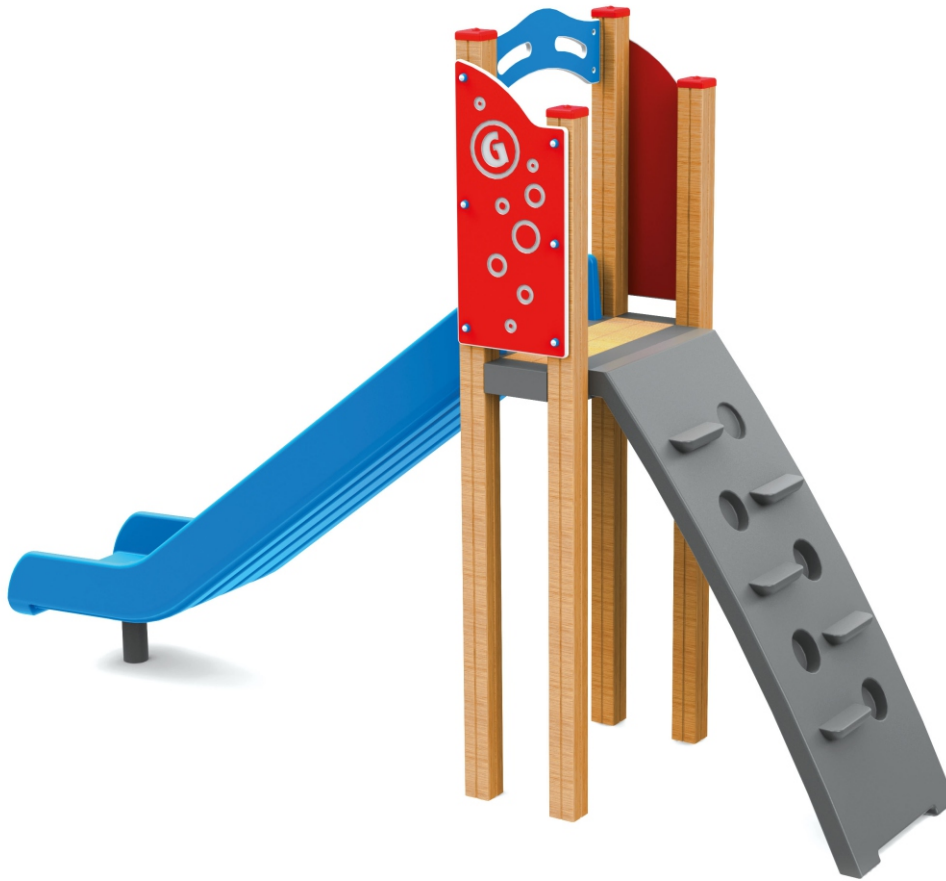


PRODUCT SHEET
REV 2.1 - EN202003
**301 SCIVOLO
CON RAMPA**



ORGANIZATION WITH QUALITY MANAGEMENT SYSTEM
ISO 9001:2015 CERTIFIED by
EuCI European Certification Institute LTD
Certificate N.: GOTT253201932

ORGANIZATION WITH ENVIRONMENTAL MANAGEMENT SYSTEM
ISO 14001:2015 CERTIFIED by
EuCI European Certification Institute LTD
Certificate N.: GOTT2532E1801



CLIMBING

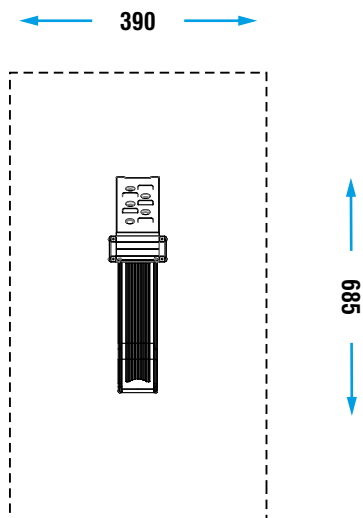


SLIDING



CATALOG COLLECTION	PLAYGROUND ESSENTIALS
DIMENSIONS (L x W x H) in cm	335 x 90 x 235
MAXIMUM CFH	140
IMPACT ATTENUATING SURFACE	min. 28,00 m ² - MAX 28,00 m ²
SUGGESTED AGE OF USE	3+
COMPOSITION	<ul style="list-style-type: none"> - n°4 timber or aluminum poles 9x9cm - n°1 timber deck - n°2 HDPE sheet guardpanels - n°1 rotating mold PTE climbing - n°1 single slide - n°1 HDPE sheet crossbar

SECURITY AREA



Make a proper security surface according to CFH. Periodic maintenance is mandatory, following manual supplied to customer.