

PRODUCT SHEET

3002 TETI

REV 0.0 - IT202509



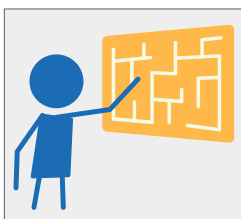
SLIDING



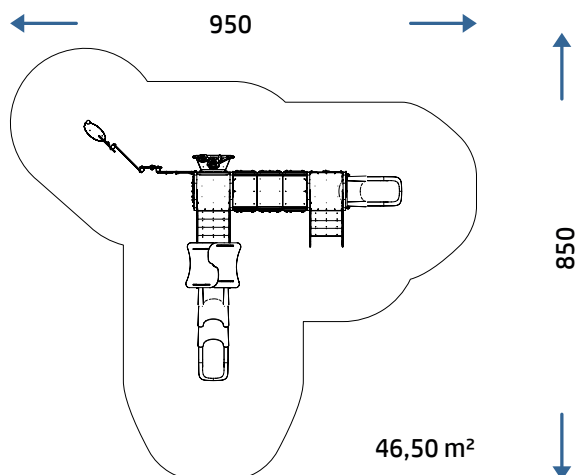
CLIMBING



INTERACTIVE GAME



SECURITY AREA



CATALOG COLLECTION

CODY LINE

DIMENSIONS (L X W X H)

640 x 520 x 315 cm

IMPACT AREA

46,50 m²

MAXIMUM CFH

140 cm

SUGGESTED AGE OF USE

3+

NUMBER OF USERS

25

PRODUCT SHEET

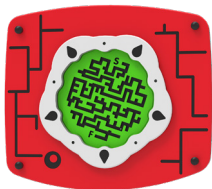
3002 TETI

REV 0.0 - IT202509

COMPOSITION

- n° 3 stainless steel AISI 304 supporting column
- n° 4 70x70 mm octagonal section aluminum posts
- n° 3 decks with powder-coated metal frame and anti-slip HDPE platform
- n° 2 closed HDPE sheet guard panels
- n° 2 opened HDPE sheet guard panels
- n° 1 HDPE sheet roof with HDPE sheet supports
- n° 2 powder-coated metal thrust bearing
- n° 2 HDPE sheet climbings
- n° 1 stairs with recycled anti-slip HDPE steps
- n° 1 «ARCO» bridge
- n° 1 «SCALA» bridge
- n° 2 roto-molded PTE modular slides (H60, H140)
- HDPE sheet decorations

PLAY PANELS



EDUCATIONAL PLAY
PANEL X1



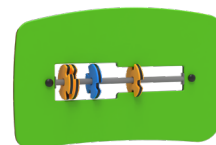
LUDIC PLAY
PANEL X1



LUDIC PLAY
PANEL X1

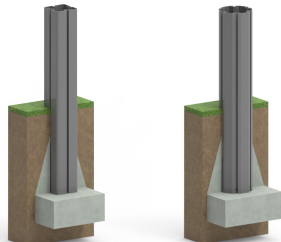


EDUCATIONAL PLAY
PANEL X1



LUDIC PLAY
PANEL X1

INSTALLATION



Where there is an aluminum pole, the plinth must be created directly on it.



If there is already an adequate fund in CLS the game can be supplied with special brackets for fixing to the ground (option applicable only with confirmation of feasibility).

Make a proper security surface according to CFH. Periodic maintenance is mandatory, following manual supplied to customer.

MATERIAL (mm)	DESCRIPTION (mm)	PROFONDITÀ MINIMA (mm) (b)	ALTEZZA MASSIMA DI CADUTA (mm)
LAWN/SOIL			1000 (d)
BARK	20 TO 80 GRAIN SIZE	200 300	2000 3000
WOOD CHIPS	20 TO 80 GRAIN SIZE	200 300	2000 3000
SAND	20 TO 80 GRAIN SIZE	200 300	2000 3000
GRAVEL	20 TO 80 GRAIN SIZE	200 300	2000 3000
RUBBER SURFACING RESPONDENT TO HIC	THICKNESS 30 MM		DEPENDENT ON CERTIFICATION TESTS 1000
	THICKNESS 40 MM		1300
	THICKNESS 45 MM		1500
	THICKNESS 60 MM		2000
	THICKNESS 70 MM		2500
	THICKNESS 90 MM		3000