

## PRODUCT SHEET

## 3001 TICHE

REV 0.0 - IT202509



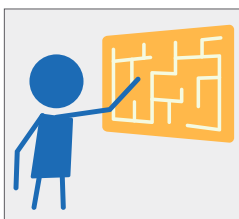
### SLIDING



### CLIMBING



### INTERACTIVE GAME



### CATALOG COLLECTION

### CODY LINE



### DIMENSIONS (L X W X H)

260 X 430 X 230 cm



### IMPACT AREA

27,50 m<sup>2</sup>



### MAXIMUM CFH

60 cm



### SUGGESTED AGE OF USE

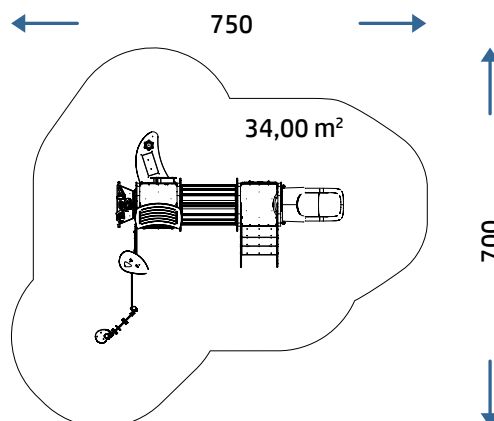
2+



### NUMBER OF USERS

15

### SECURITY AREA



## PRODUCT SHEET

REV 0.0 - IT202509

### COMPOSITION

- n° 2 stainless steel AISI 304 supporting column
- n° 4 70x70 mm octagonal section aluminum posts
- n° 2 decks with powder-coated metal frame and anti-slip HDPE platform
- n° 1 HDPE sheet roof with HDPE sheet supports
- n° 1 powder-coated metal thrust bearing
- n° 1 stairs with recycled anti-slip HDPE steps
- n° 1 roto-molded PTE tunnel
- n° 1 sandbox
- n° 1 roto-molded PTE modular slide (H60)
- HDPE sheet decorations

### PLAY PANELS



**PANNELLO  
MUSICALE X1**



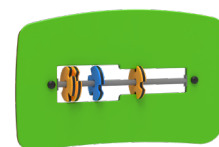
**PANNELLO  
LUDICO X1**



**PANNELLO  
LUDICO X1**

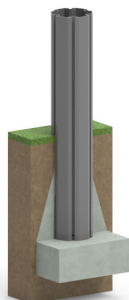


**PANNELLO  
LUDICO X1**

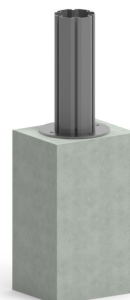


**PANNELLO  
LUDICO X1**

### INSTALLATION



Where there is an aluminum pole, the plinth must be created directly on it.



If there is already an adequate fund in CLS the game can be supplied with special brackets for fixing to the ground (option applicable only with confirmation of feasibility).

Make a proper security surface according to CFH. Periodic maintenance is mandatory, following manual supplied to customer.

MATERIAL (mm)	DESCRIPTION (mm)	PROFONDITÀ MINIMA (mm) (b)	ALTEZZA MASSIMA DI CADUTA (mm)
LAWN/SOIL			1000 (d)
BARK	20 TO 80 GRAIN SIZE	200 300	2000 3000
WOOD CHIPS	20 TO 80 GRAIN SIZE	200 300	2000 3000
SAND	20 TO 80 GRAIN SIZE	200 300	2000 3000
GRAVEL	20 TO 80 GRAIN SIZE	200 300	2000 3000
RUBBER SURFACING RESPONDENT TO HIC	THICKNESS 30 MM		DEPENDING ON CERTIFICATION TESTS 1000
	THICKNESS 40 MM		1300
	THICKNESS 45 MM		1500
	THICKNESS 60 MM		2000
	THICKNESS 70 MM		2500
	THICKNESS 90 MM		3000