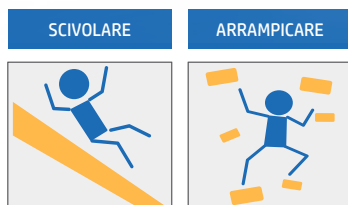


PRODUCT SHEET

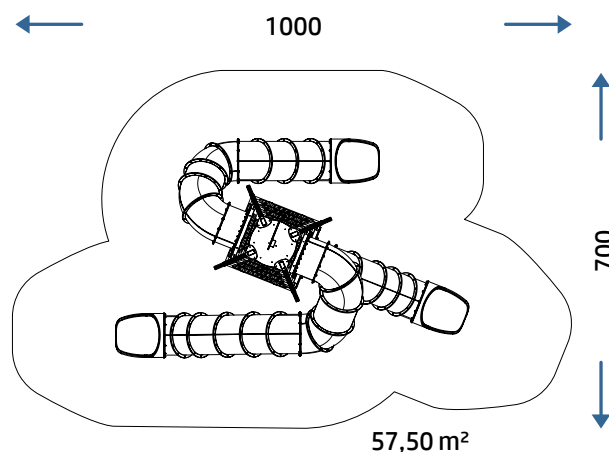
REV 0.0 - IT202509

0990 ARGE



SECURITY AREA

	CATALOG COLLECTION	TITAN COLLECTION
	DIMENSIONS (L X W X H)	685 x 425 x 695 cm
	IMPACT AREA	35,50 m ²
	MAXIMUM CFH	150 cm
	SUGGESTED AGE OF USE	5+
	NUMBER OF USERS	30



PRODUCT SHEET

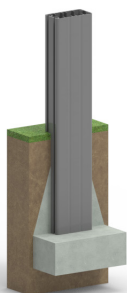
0990 ARGE

REV 0.0 - IT202509

COMPOSITION

- n°4 70x130 profile structural aluminium poles
- n°3 antislip aluminium decks with powder coated steel frame
- n°1 powder coated steel ladders
- n°2 HDPE climbing
- n°14 powder coated steel barriers
- n°3 tube slides
- n°1 19 mm thick HDPE roof
- n°1 decoration pole
- HDPE sheet decorations

INSTALLATION



Where there is an aluminum pole, the plinth must be created directly on it.

Make a proper security surface according to CFH. Periodic maintenance is mandatory, following manual supplied to customer.

MATERIAL (mm)	DESCRIPTION (mm)	PROFONDITÀ MINIMA (mm) (b)	ALTEZZA MASSIMA DI CADUTA (mm)
LAWN/SOIL			1000 (d)
BARK	20 TO 80 GRAIN SIZE	200 300	2000 3000
WOOD CHIPS	20 TO 80 GRAIN SIZE	200 300	2000 3000
SAND	20 TO 80 GRAIN SIZE	200 300	2000 3000
GRAVEL	20 TO 80 GRAIN SIZE	200 300	2000 3000
RUBBER SURFACING RESPONDENT TO HIC	THICKNESS 30 MM		DEPENDING ON CERTIFICATION TESTS 1000
	THICKNESS 40 MM		1300
	THICKNESS 45 MM		1500
	THICKNESS 60 MM		2000
	THICKNESS 70 MM		2500
	THICKNESS 90 MM		3000